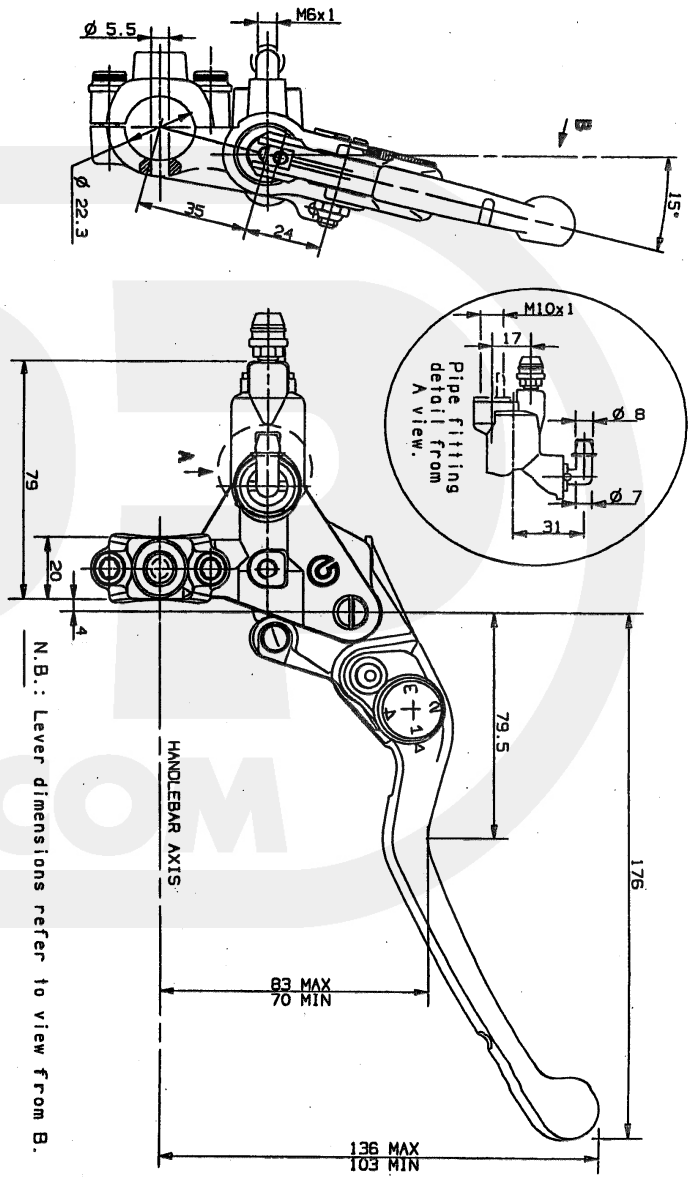


Brembo

FRONT MASTER CYLINDER

PSC 16

10.6870.15



DESCRIPTION

Front master cylinder without incorporated reservoir.
 Construction Material: Aluminium Alloy.
 Operating fluid: brake fluid DOT4.
 Microswitch.

Master cylinder BODY color: Gold Anodic Oxidation.
 Master cylinder LEVER color: Polishing and Transparent Painted

TECHNICAL CHARACTERISTICS

Piston diameter: 16.0 mm
 Weight: 0.310 Kg

AVAILABLE SPARE PARTS

SPARE PARTS CODE	LEVER	CLAMP	PIPE FITTING	LEVER PIN	MICROSWITCH
10.6870.15	110.2706.46	110.4372.56	110.3127.20	110.2798.15	110.4418.21

Indicating informations subject to modification.
 For further specifications contact Technical Section.

LAST UPDATE: 19/07/1999